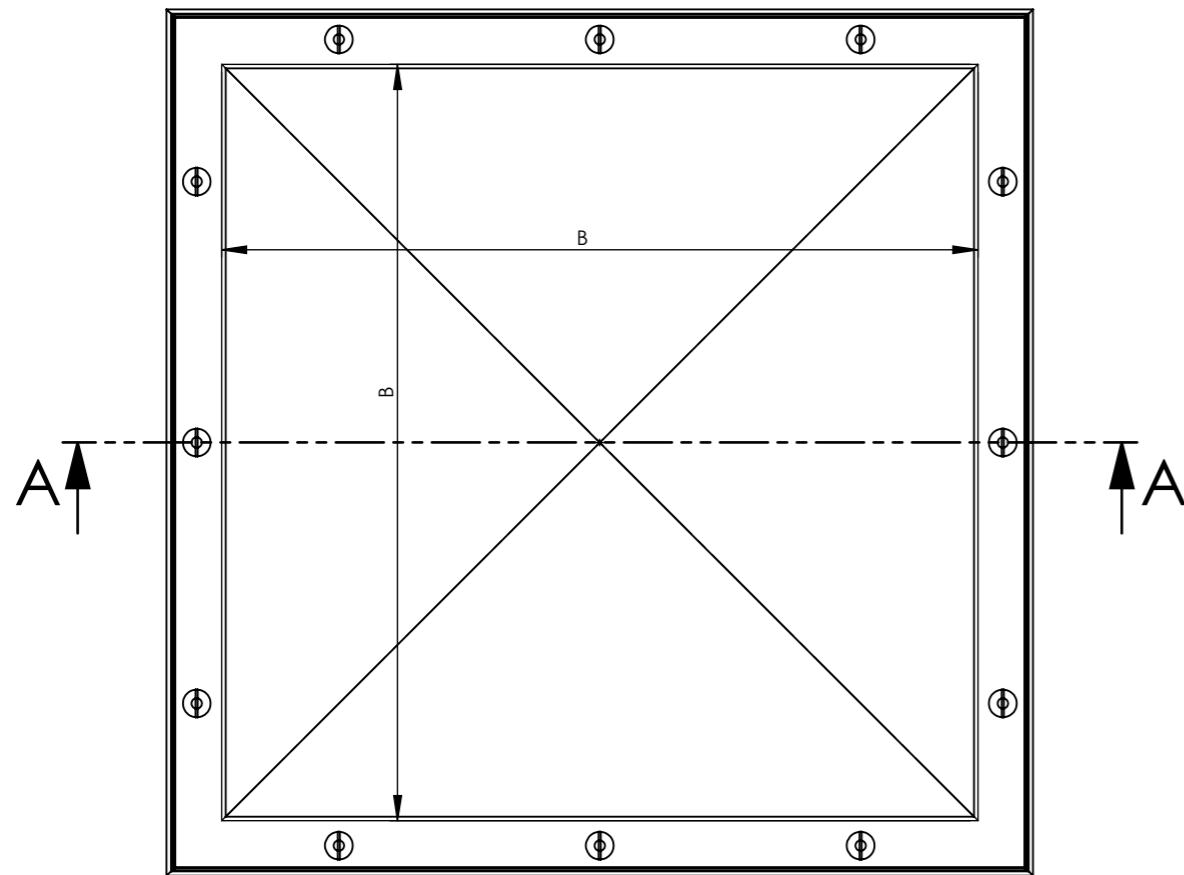
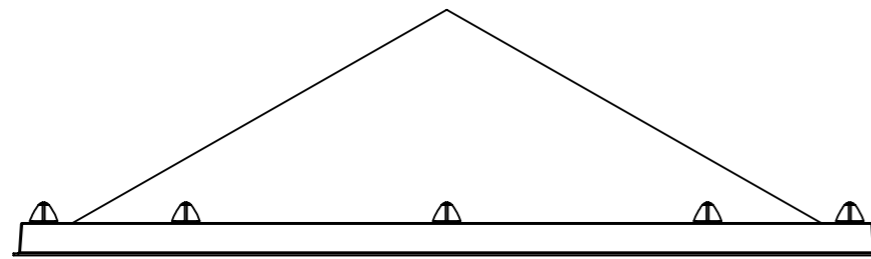
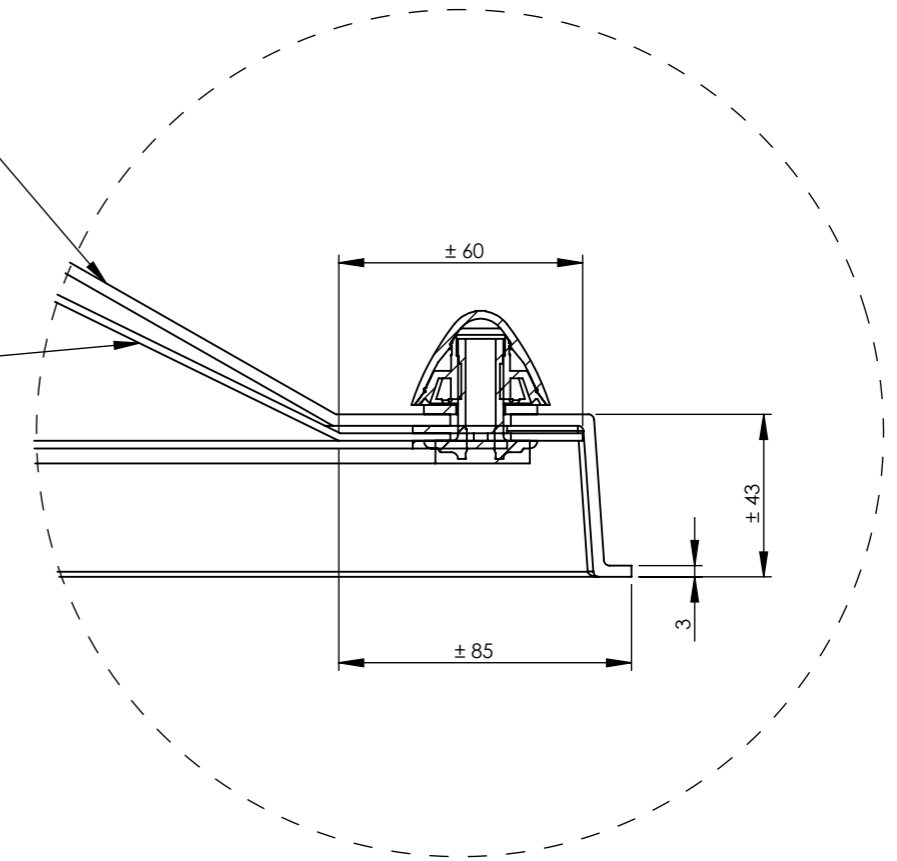


SECTION A-A



Outer shell pyramide dome

Inner shell pyramide dome



DETAIL B

SCALE 1 : 2

Lacquered Surface:

Material				
Density	kg/m ³			
Mass	kg			
Anodisation Surface	mm ²			
Revision	A	File name		
State	In Work	Title Skylux pyramid shaped acrylic dome		
Designer				
Date Created	12/03/2021	Art n° KKP	Ext. Art n° 1956	
Tolerances		Last modification on 2021-03-12 By Christophe		
		Scale 1:10	Format A3	Sheet 1/1